

VSS BRIDGE CONSOLES

VERSION

1

ASSEMBLY GUIDE

SCALE

1/18

Thank you for purchasing the VSS Bridge Consoles, a 1:18 scale model kit from DioWarriors. We are always striving to improve the quality of our products, so there might be slight differences with the assembly guide and the physical kit. Please check online at the DioWarriors Store for any update, replacement part, and other information.

How-To Assemble: All parts of the kit can be assembled without cutting. Instead, physical adjustments can be achieved by sanding. If a part is too tight to assemble, try sanding it slightly until it fits.

This model requires glue to fully assemble. Not all glues work best. The VSS Bridge Console kit is primarily made of PLA plastic, acrylic, and styrene. Superglue works well for parts 3D Printed with PLA plastic. Model cement may also be used, but will require longer curing time. We recommend using super glue for most assemblies. However, please take caution when gluing near the transparent acrylics as super glue can leave a vapor trail. A bit of masking tape can shield against the vapor.

For gluing the acrylic keyboards, some glues become clear when they dry. Loctite makes a glue that we find works well for this.

DioWarriors does intend to offer alternative displays for the consoles. If you intend to upgrade to another display, consider skipping the step for gluing the display or keyboard, or use a water soluble glue, such as Elmer's Glue-All, to undo the glue at a later time.

Please visit the DioWarriors Store site for the updated gluing guide.

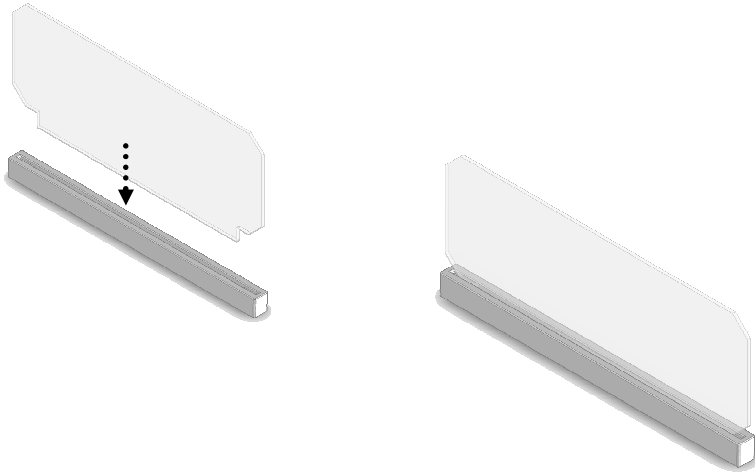
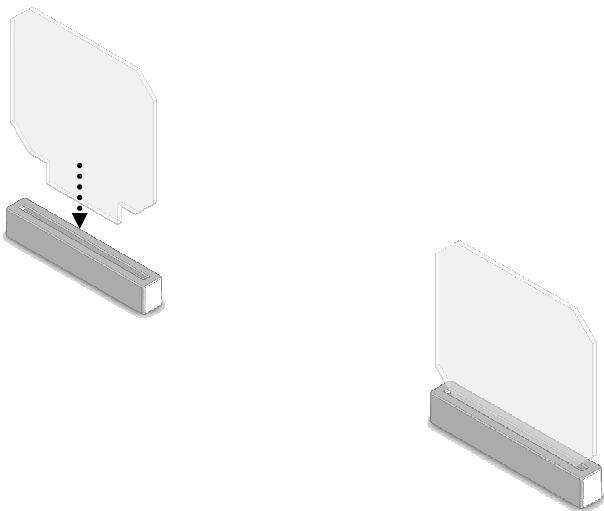
We can use your help. We are a very small company. If you enjoy this model, please consider sharing photos of it. Word-of-mouth helps us a lot. Every purchase goes to improving machines, which in turn helps us produce larger, and better models.

Find additional models and tips at the DioWarriors Store web site!

STEP**1****Acrylic Display #1**

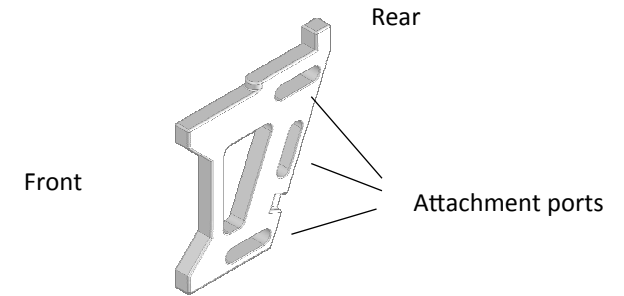
The acrylic display fits into the holder through a slot. It may be a tight fit. If the fit is too tight, use a thin file or sand paper to widen the slot.

Position the holder so that the best side is facing up. The bottom may be slightly warped.

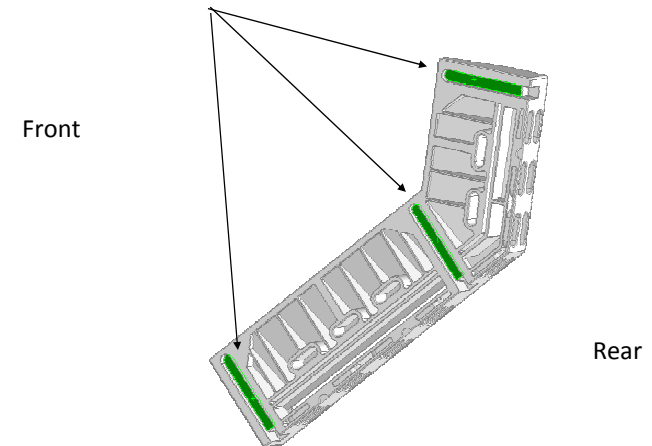
**STEP****2****Acrylic Display #2****Console Legs**

Leg attachment will require glue. Test how each leg attaches before applying glue. If any leg needs adjustment, use a file or sand paper.

A 3D printed part can have splinters or be excessively rough. Use needle nose pliers or tweezers to remove the excess. Sand away the rough.

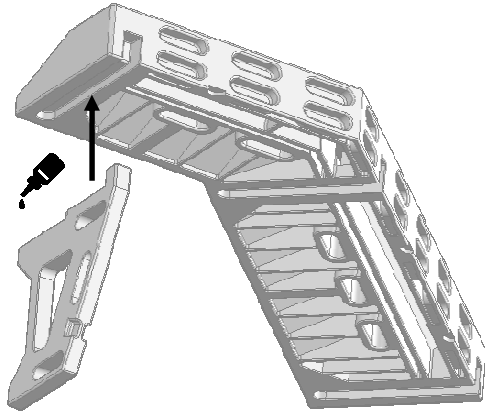
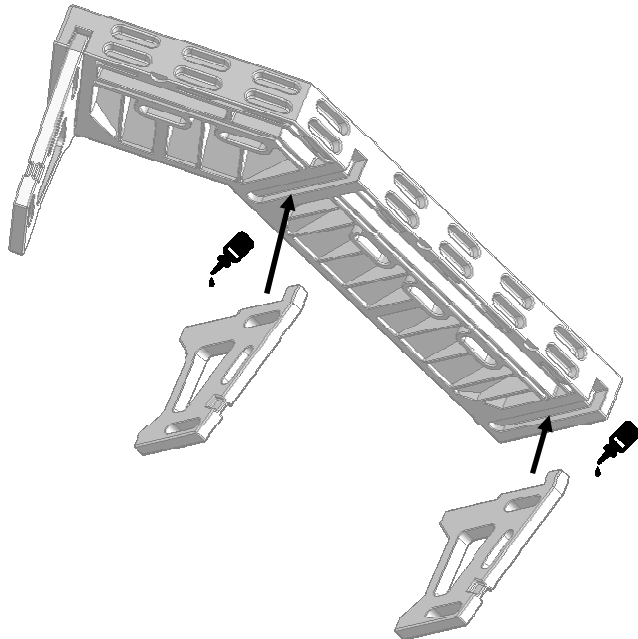


Legs will attach here.



STEP**Leg Attachment****1**

Apply glue to each leg.

**STEP****2****STEP****Keyboards****3**

Keyboard assembly is to glue the styrene to the console, then glue the keyboard to the styrene. Note: smooth side up.

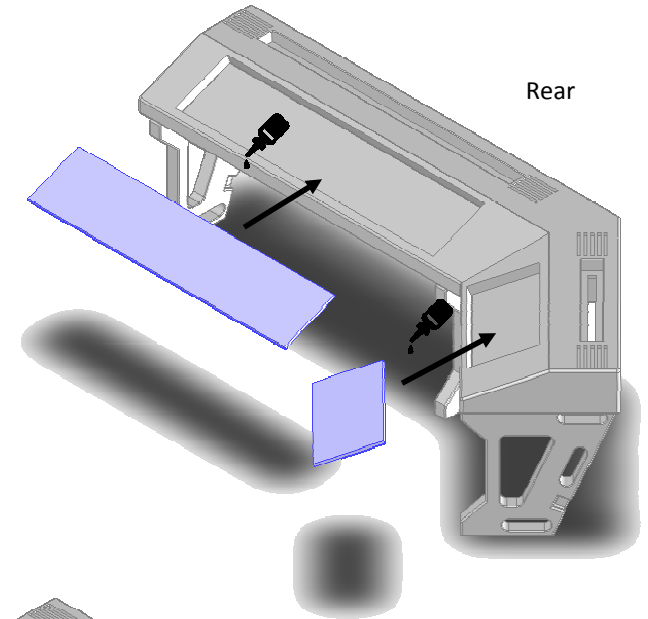
Use superglue to glue the styrene to the console and then let dry.

Use a glue that will not stain the acrylic to glue to the styrene.

Front

Rear

Styrene



Acrylic

Place the smooth side of the keyboard up.

STEP**4****Displays**

Attach the displays to the consoles. Place the smooth side of the laser engraving to the front.

